

High Performance Current Transducer IT 1000-S/SP1 ULTRASTAB

$$I_{PM} = 0 \dots 1000 \text{ A}$$

For the electronic measurement of currents: DC, AC, pulsed..., with galvanic isolation between the primary circuit and the secondary circuit.



Electrical data

I_{PN}	Primary nominal current DC	1000	A
I_{PN}	Primary nominal current rms	707	A
I_{PM}	Primary current, measuring range	0 .. ± 1000	A
\hat{I}_p	Max overload capability 100 ms ¹⁾	± 4000	A
R_M	Measuring resistance	$R_{M \min}$ $R_{M \max}$	
	Over operating current, temperature and supply voltage range	0 3	Ω
I_S	Secondary current	0 .. ± 1000	mA
I_{SN}	Secondary nominal current rms	707	mA
K_N	Conversion ratio	1 : 1000	
V_C	Supply voltage ($\pm 5\%$)	± 15	V
I_C	Current consumption ± 15 V	$\leq 80 + I_S$	mA

Accuracy - Dynamic performance data

ϵ_L	Linearity error ²⁾	≤ 3	ppm
I_{OE}	Electrical offset current + self magnetization + effect of earth magnetic field @ $T_A = 25^\circ\text{C}$ ²⁾	< 50	ppm
ΔI_{OE}	Offset stability (no load) ²⁾	< 1	ppm/month
TCI_{OE}	Temperature coefficient of I_{OE} ($10^\circ\text{C} \dots 50^\circ\text{C}$) ²⁾	< 0.5	ppm/K
	Offset vs. power supply stability @ $T_A = 25^\circ\text{C}$ ²⁾ @ $V_C = \pm 15 \text{ V} \pm 5\%$	< 3	ppm/% of $V_C = \pm 15 \text{ V}$

General data

T_A	Ambient operating temperature	10 .. + 50	$^\circ\text{C}$
	Humidity (non condensing)	20 - 80 %	RH
T_S	Ambient storage temperature	- 20 .. + 85	$^\circ\text{C}$
	Humidity (non condensing)	20 - 80 %	RH
R_S	Secondary coil resistance @ $T_A = 25^\circ\text{C}$	6	Ω
m	Mass	1	kg

Notes: ¹⁾ Single pulse only, not AC.

The transducer may requires a few seconds to return to normal operation when autoreset system is running.

²⁾ All ppm figures refer to secondary measuring range 1000 mA.

Features

- Closed loop (compensated) current transducer using an extremely accurate zero flux detector
- Electrostatic shield between primary and secondary circuit.

Special features

- 9-pin D-Sub male secondary connector
- Output indicates the transducer state
- LED indicator confirms normal operation.

Advantages

- Very high accuracy
- Excellent linearity
- Extremely low temperature drift
- Wide frequency bandwidth
- High immunity to external electrostatic and magnetic fields interference
- No insertion losses
- High resolution
- Low noise on output signal
- Low noise feedback to main conductor.

Applications

- Feed back element in high performance gradient amplifiers for MRI
- Feed back element in precision current regulated devices (power supplies...)
- Calibration unit
- Precise and high stability inverters
- Energy measurement
- Medical equipment.

Application domain

- Industrial and Medical.

Current Transducer IT 1000-S/SP1 ULTRASTAB

Isolation characteristics

V_b	Rated isolation voltage rms, reinforced isolation	150	V
	Rated isolation voltage rms, single isolation	300	V
with IEC 61010-1 standards and following conditions			
- Over voltage category III			
- Pollution degree 2			
V_d	Rms voltage for AC isolation test, 50/60 Hz, 1 min	3.1 ¹⁾	kV
		200 ²⁾	V DC
\hat{V}_w	Impulse withstand voltage 1.2/50 μ s	5.7	kV
V_b	Rated isolation voltage rms, reinforced isolation	150	V
	Rated isolation voltage rms, single isolation	300	V
with EN 50178 standards and following conditions			
- Over voltage category III			
- Pollution degree 2			
dCp	Creepage distance	5	mm
dCl	Clearance distance	5	mm
CTI	Comparative Tracking Index (Group I)	600	V

If isolated cable is used for the primary circuit, the voltage category could be improved with the following table (for single isolation) (IEC 61010-1 standard):

Cable isolated (primary)	Category
HAR03	450 V CAT III
HAR05	550 V CAT III
HAR07	650 V CAT III

Notes: ¹⁾ Between primary and secondary + shield

²⁾ Between secondary and shield.

Safety



This transducer must be used in electric/electronic equipment with respect to applicable standards and safety requirements in accordance with the manufacturer's operating instructions.



Caution, risk of electrical shock

When operating the transducer, certain parts of the module can carry hazardous voltage (eg. primary busbar, power supply).

Ignoring this warning can lead to injury and/or cause serious damage.

This transducer is a build-in device, whose conducting parts must be inaccessible after installation.

A protective housing or additional shield could be used.

Main supply must be able to be disconnected.

Current Transducer IT 1000-S/SP1 ULTRASTAB

Output noise figures: @ 25°C

Random Noise ppm (rms):

0 – 10 Hz	0 – 10 kHz	0 – 50 kHz
< 0.05	< 3	< 6

Re-injected noise measured on primary cable (DC - 50 kHz) < 5 μV_{rms}

Dynamic performance data

BW Frequency bandwidth for small signal 0.5 %, of I_{PN} (DC) (± 3 dB) DC .. > 500 kHz
di/dt di/dt accurately followed > 100 A/ μs
t_r Response time ¹⁾ to 90 % of I_{PN} step < 1 μs

Note: ¹⁾ With a di/dt of 100 A/ μs .

Current Transducer IT 1000-S/SP1 ULTRASTAB

Over current protection - Electrical specification - Status

As soon as electrical saturation appears, the transducer switches from normal operation to over current mode.

This electrical saturation appears in any case beyond 1.1 time the current range. The primary current corresponding to this trip level is related to the temperature inside the transducer.

Under these conditions:

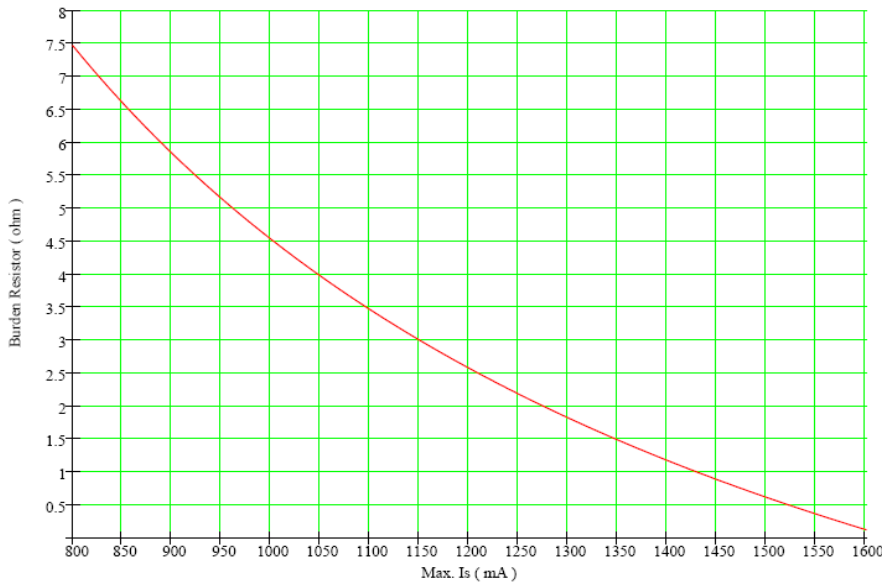
- the contact (operation status) between pin 3 to 8 (of D-SUB-9 connector) switches off, this contact becomes open.
- the green LED (located on the cover plate of the transducer and related to operation status) switches off.

Fault level (off state)	$I_p > 110\% \text{ of } I_{PN\ DC}$
Max voltage pin 3 to pin 8, off-State	45 V
Max current pin 3 to pin 8, on-State	30 mA
On state resistance pin 3 to pin 8	50 mΩ (typ)

To maintain safe start-up R_M must not exceed 3 Ω during fault condition.

The over current mode remains until the primary current decreases to a value lower than the recovery current.

Max secondary current versus measuring resistor

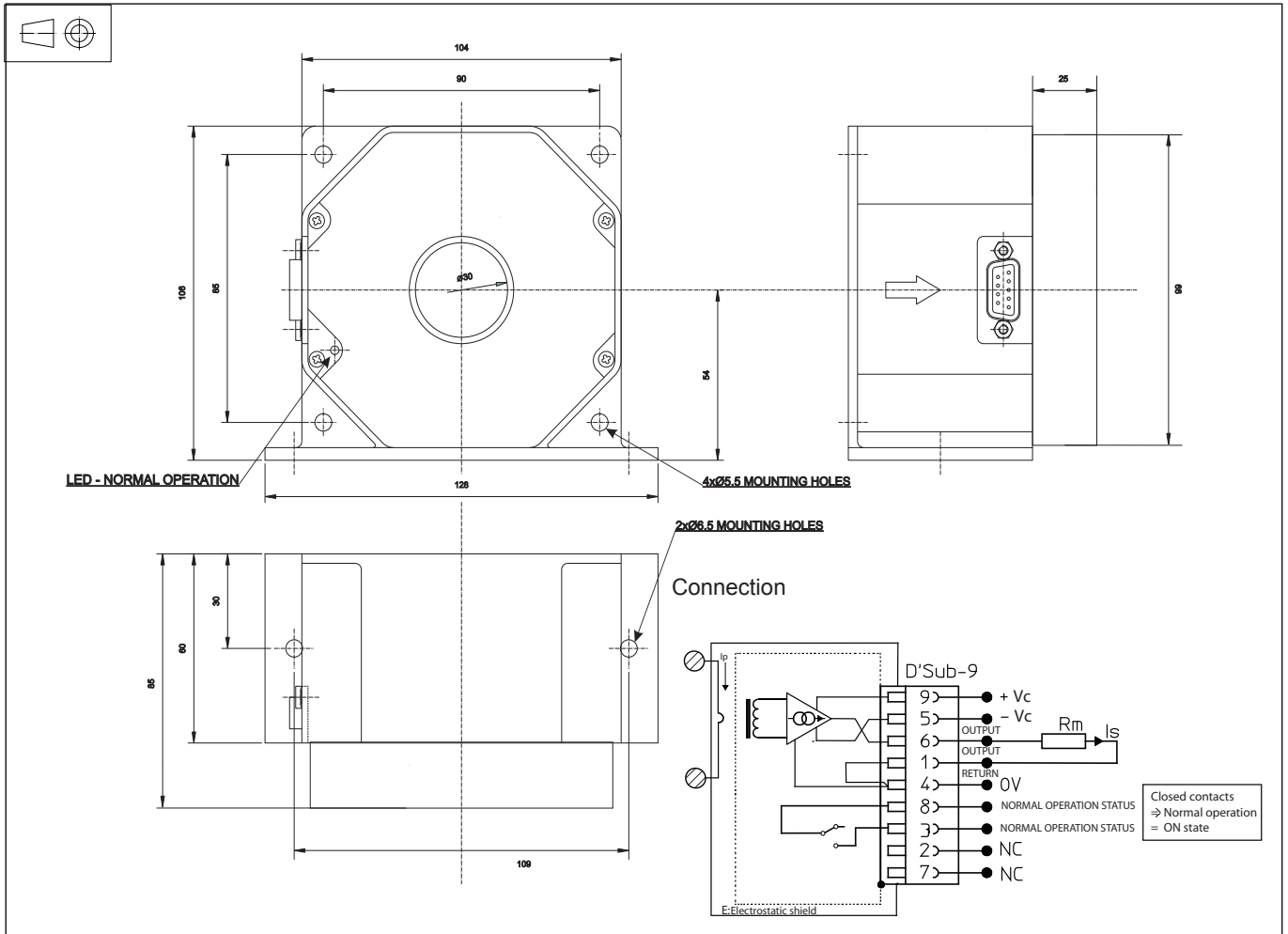


To maintain safe start-up R_M must not exceed 3 Ω during fault condition.

Miscellaneous

Bus bar free zone (length: 110 mm) (from center) $r \geq 110$ mm

Dimensions IT 1000-S/SP1 ULTRASTAB (in mm.)



Mechanical characteristics

- General tolerance ± 0.3 mm
- Transducer fastening
 - Straight mounting 2 holes $\varnothing 6.5$ mm
2 x M6 steel screws
Recommended fastening torque 4.4 Nm
 - Flat mounting 4 holes $\varnothing 5.5$ mm
4 x M5 steel screws
Recommended fastening torque 3.7 Nm
- Connection of secondary connector on D-SUB-9, UNC 4-40
- All mounting recommendations are given for a standard mounting. Screws with flat and spring washers.
- Primary through hole $\varnothing \leq 30$ mm

Connection

- Normal operation status (Pins 3 to 8)
Normal operation means:
 - ± 15 V present
 - zero detector is working
 - compensation current $\leq 110\%$ of $I_{PN DC}$

The contacts of the related relay are closed under normal operation.

Remarks

- I_S is positive when I_p flows in the direction of the arrow.
- We recommend that a shielded output cable and plug are used to ensure the maximum immunity against electrostatic fields.
- Pin 4 should be connected to cable - and connector shield to maintain lowest output noise.
- Temperature of the primary conductor should not exceed 50°C .