

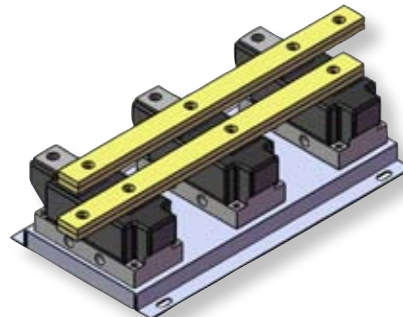
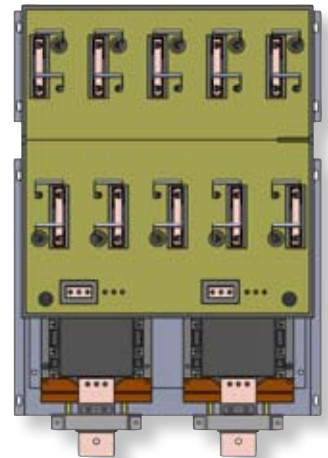
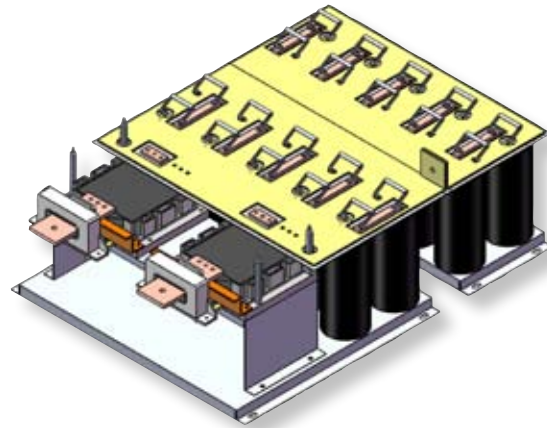
# DARRAH'S

## Rectifier Inverter Assembly

*Water Cooled*



- **H Bridge IGBT Inverter**  
1400 Amp, 1200 Volt, Mega Dual IGBT's
- **Optional IGBT Firing Circuit**  
Compatible with Semikron Skiip Package
- **Diode or SCR Front End Rectifier**  
With or Without SCR Firing Board
- **Input: 240-480 Volt, 3 Phase, 50/60 Hertz**
- **D.C. Filter Capacitors**  
34,000 MFD, 900 Volt
- **IGBT Snubber Capacitors**
- **Water Fittings 3/8' or 1/2" Hose Barbs**
- **Other Ratings Available**



ISO 9001:2000 Certified

## DARRAH ELECTRIC COMPANY

5914 MERRILL AVENUE • CLEVELAND, OHIO 44102

Toll Free 800-621-0014 Cleveland 216-631-0912 Fax 216-631-0440 E-mail [decdarrah@earthlink.net](mailto:decdarrah@earthlink.net)

[www.darrahelectric.com](http://www.darrahelectric.com)